

RT31 (A380)

PARTS CATALOG

INTRODUCTION

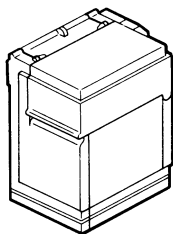
This chapter instructs you the numbers and names of this parts on this machine.

INDEX to PARTS CATALOG

Location of Unit	3
1. LCT Unit 1(A380)	4
2. LCT Unit 2(A380)	6
3. LCT Unit 3(A380)	8
4. LCT Unit 4(A380)	10
5. LCT Unit 5(A380)	12
6. Decal and Document (A380)	14
Parts Index	17

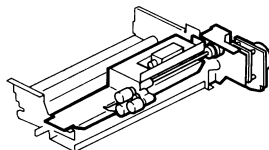
LOCATION OF UNIT

1. LCT UNIT 1 (A380)



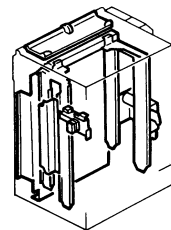
See Page 4

2. LCT UNIT 2 (A380)



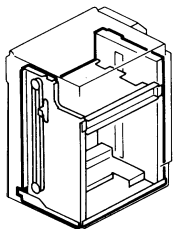
See Page 6

3. LCT UNIT 3 (A380)



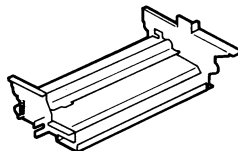
See Page 8

4. LCT UNIT 4 (A380)



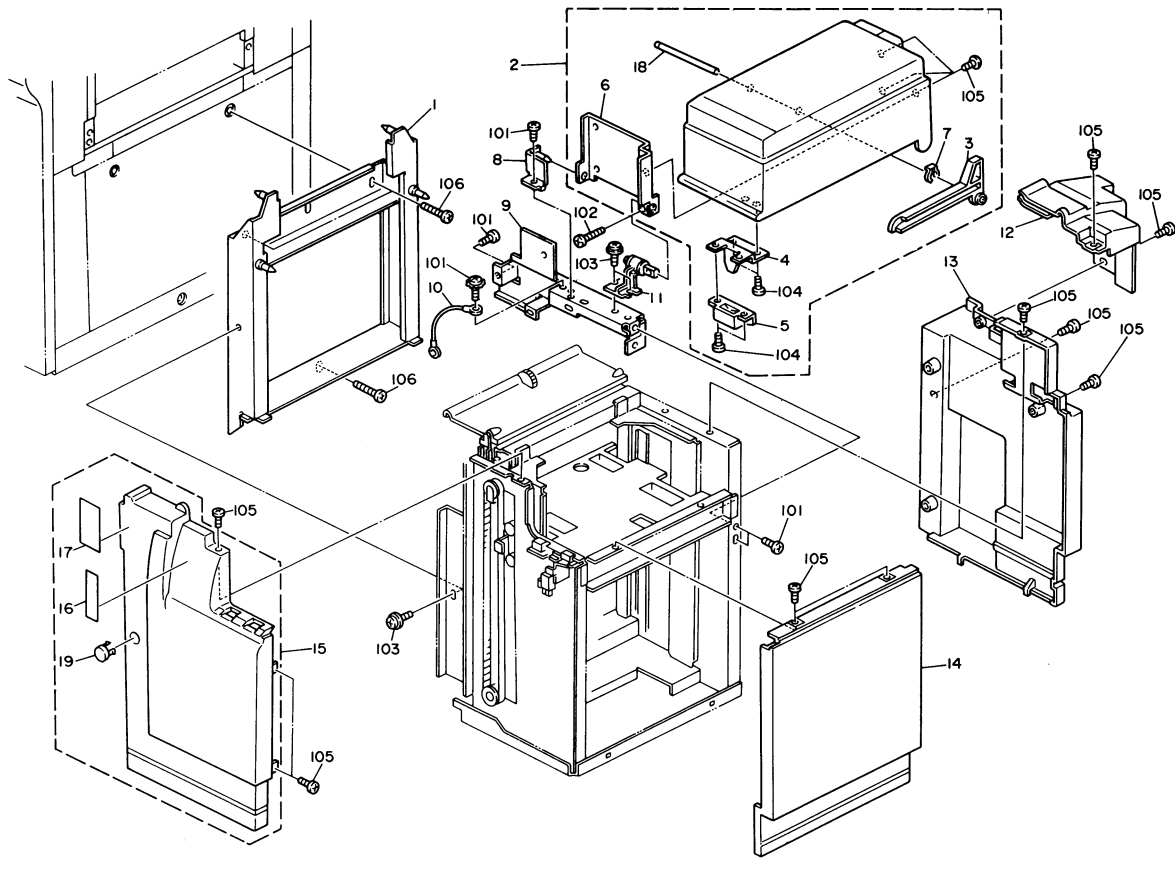
See Page 10

5. LCT UNIT 5 (A380)



See Page 12

1. LCT UNIT 1 (A380)

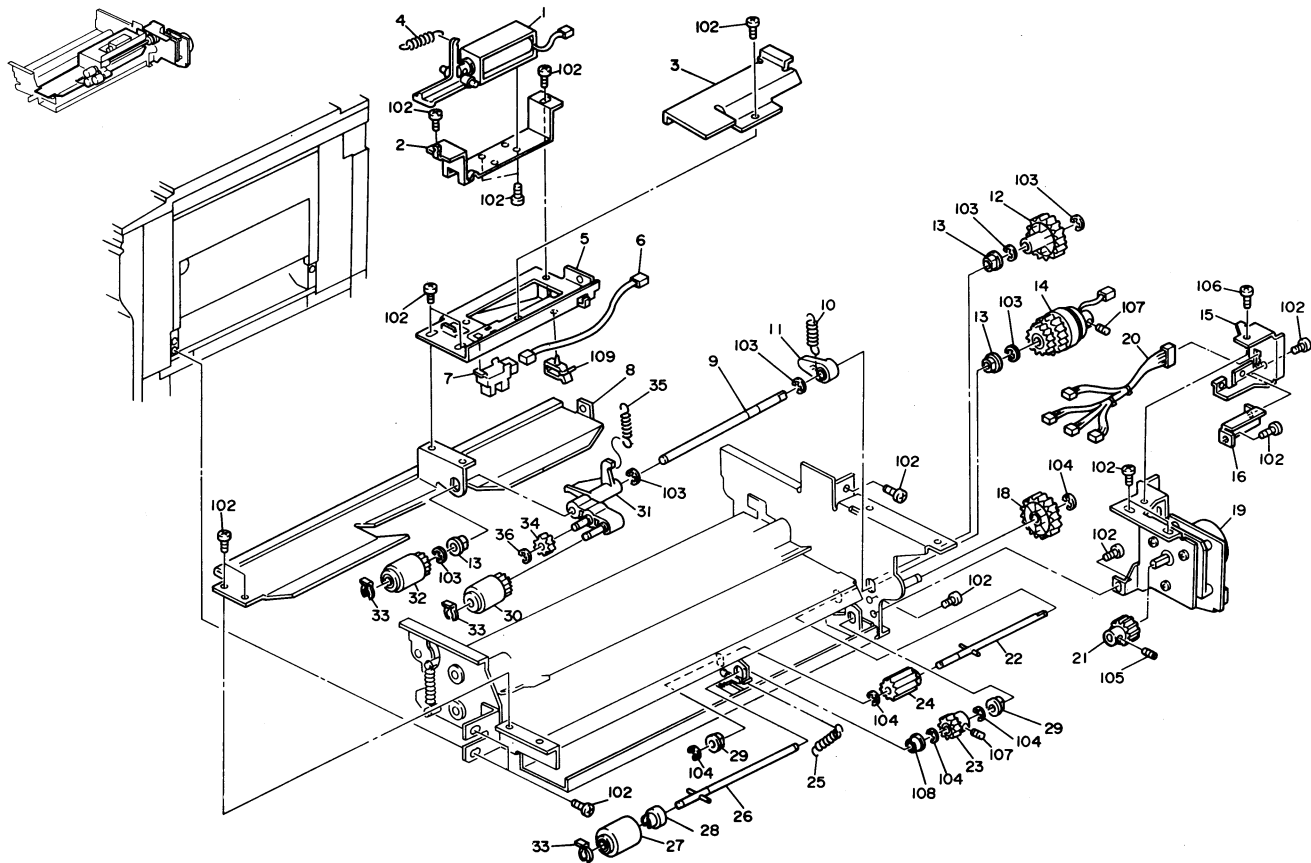


1. LCT UNIT 1 (A380)

Index No.	Part No.	Description	Q'ty Per Assembly
1	A380 1020	LCT Stay	1
2	A380 1111	Upper Cover - LT	1
2	A380 1110	Upper Cover - A4	1
3	A380 1234	End Fence	1
4	A380 1232	Door Catch	1
5	AG07 0004	Magnetic Catch	1
6	A380 1231	Hinge Stay	1
7	5447 2681	Snap Ring	1
8	A380 1272	Hinge Bracket	1
9	A380 1271	Large Hinge Bracket	1
10	A380 5607	Grounding Wire	1
11	A380 1281	Hinge Rubber Cover	1
12	A380 1171	Rear Upper Cover	1
13	A380 1161	Rear Lower Cover	1
14	A380 1251	Right Cover	1
15	A380 1130	Front Cover	1
16	A380 1131	Decal - Paper Setting	1
17	A380 1132	Decal - Misfeed Removal	1
18	A380 1233	End Fence Shaft	1
19	A024 1367	Small Cap - Left Cover	1

Index No.	Part No.	Description	Q'ty Per Assembly
101	0314 0060B	Philips Pan Head Screw - M4x6	
102	0314 0120B	Philips Pan Head Screw - M4x12	
103	0964 4010B	Tapping Screw With Flat Washer-M4	
104	0414 0082B	Binding Self Tapping Screw - M4x8	
105	0802 5094	Tapping Truss Head Screw - M4x8	
106	0951 4016B	Philips Screw With Flat Washer - M4	

2. LCT UNIT 2 (A380)

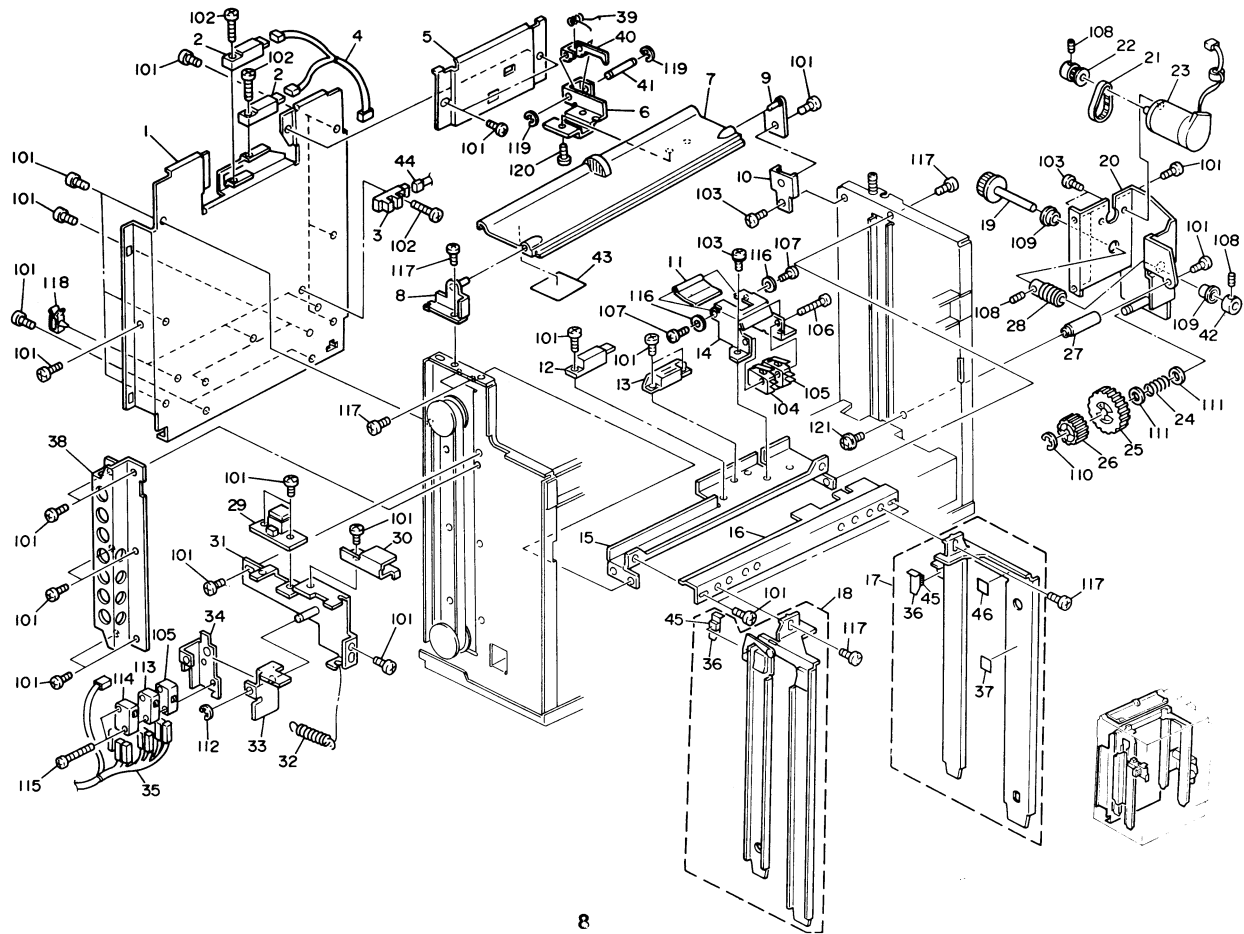


2. LCT UNIT 2 (A380)

Index No.	Part No.	Description	Q'ty Per Assembly
1	A380 2280	Pick-up Solenoid	1
2	A380 2281	Solenoid Housing	1
3	A380 2431	Solenoid Cover	1
4	A380 2494	Pressure Spring	1
5	A380 2271	Upper Feed Stay	1
6	A380 5602	Sensor Harness	1
7	AW02 0021	Photointerruptor - 175487-3	1
8	A380 2351	Entrance Guide Plate	1
9	A380 2221	Feed Roller Shaft	1
10	A380 2460	Pick-up Release Spring	1
11	A096 6353	Feed Roller	1
12	A380 2053	Reverse Gear - 18Z	1
13	5053 0223	Bushing - 8mm	2
14	AX21 0038	Magnetic Clutch - 5kgf	1
15	A380 2421	Harness Clamp Bracket	1
16	A380 2441	Harness Bracket Angle	1
17	A380 2431	Solenoid Cover	1
18	A380 2390	Idler Gear - 33Z	1
19	AX06 0079	Motor - 11.6/8.9W	1
20	A380 5604	Relay Harness - Paper Feed	1
21	A380 2418	Drive Gear - 22Z	1
22	A380 2251	Reverse Roller Shaft	1
23	AB01 3729	Gear - 18Z	1
24	AB01 3773	Gear - 18Z	1
25	A380 2463	Pick-up Pressure Spring	1
26	A380 2342	Reverse Roller Driven Shaft	1
27	AF03 2021	Separation Roller	1
28	A097 6000	Separation Torque Limiter	1
29	5053 0447	Bushing - 6mm	1
30	AF03 1021	Paper Feed Roller	1
31	A380 2211	Pick-up Arm	1
32	AF03 0021	Pick-up Roller	1
33	5447 2681	Snap Ring	2
34	5447 2706	Gear - 15T	1
35	A380 2463	Pick-up Pressure Spring	1

Index No.	Part No.	Description	Q'ty Per Assembly
36	5215 2621	Snap Ring - M6	1
101	0622 0100E	Spring Pin - 2x10mm	
102	0314 0060B	Philips Pan Head Screw - M4x6	
103	0720 0060B	Retaining Ring - M6	
104	0720 0040B	Retaining Ring - M4	
105	0574 0040E	Hexagon Headless Set Screw - M4x4	
106	0960 4006B	Philips Flange Screw - M4x6	

3. LCT UNIT 3 (A380)



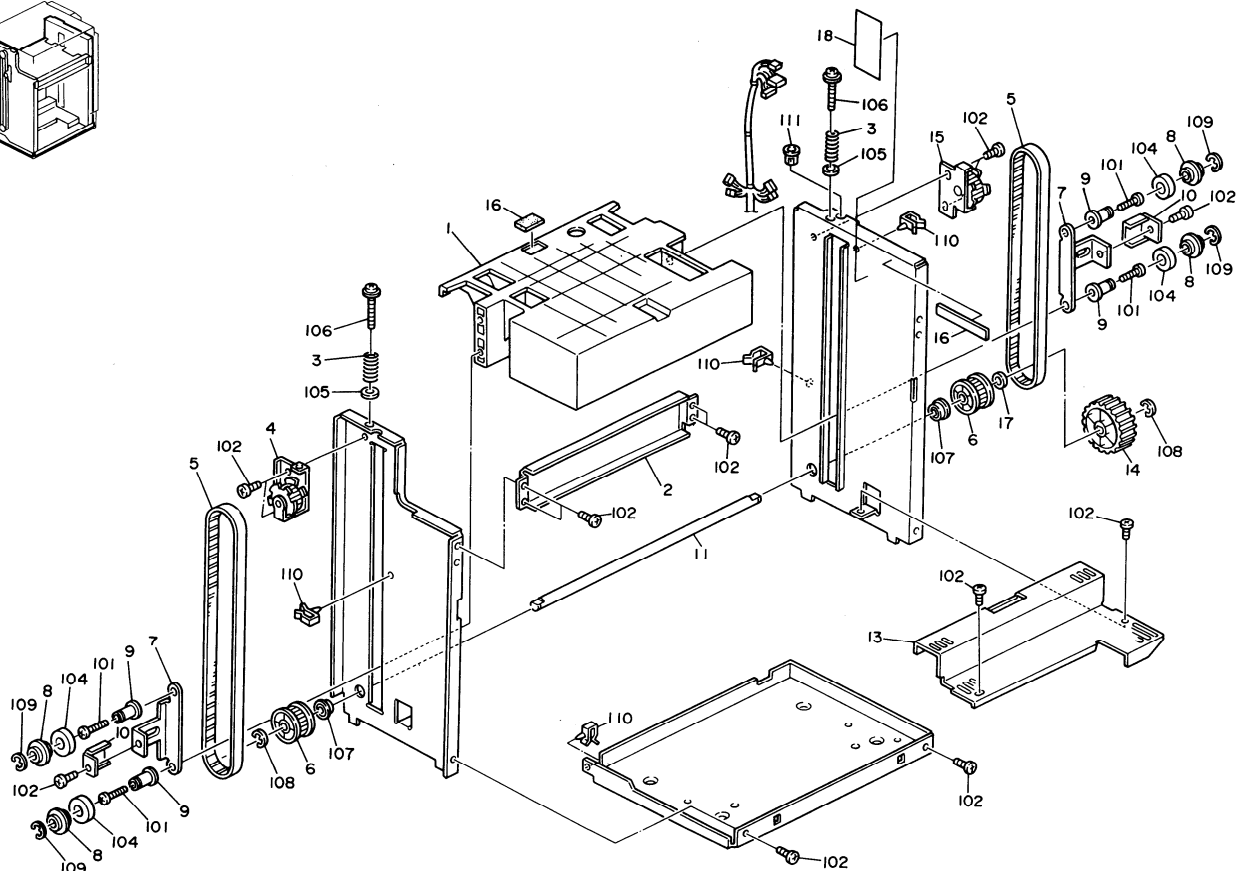
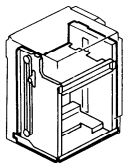
3. LCT UNIT 3 (A380)

Index No.	Part No.	Description	Q'ty Per Assembly
1	A380 1352	Left Bracket	1
2	AW01 0027	Photosensor - ON2530 CT	2
3	AW02 0012	Photosensor Ass'y	1
4	A380 5603	Relay Harness - Paper Set	1
5	A380 1354	Registration Roller Cover	1
6	A380 1298	Paper Sensor Holder	1
7	A380 1081	Misfeed Cover	1
8	A380 1211	Front Hinge	1
9	A380 1215	Rear Hinge	1
10	A380 1213	Rear Bracket - Misfeed	1
11	A380 1358	Micro Switch Plate	1
12	AW01 0064	Optical Sensor Ass'y	1
13	AG07 0004	Magnetic Catch	1
14	A380 1357	Safety Switch Cover	1
15	A380 1355	Upper Stay	1
16	A380 1941	Side Fence Adjuster - Upper	1
17	A380 1852	Rear Side Fence	1
18	A380 1851	Front Side Fence	1
19	A380 1433	Timing Pulley - S2M T70	1
20	A380 1410	Drive Bracket	1
21	A380 1434	Timing Pulley - S2M T76	1
22	AB03 0216	Pulley - 15Z	1
23	AX06 0078	Drive Motor - 13W	1
24	A380 1436	Pressure Spring	1
25	AB01 3809	Worm Wheel - 44Z	1
26	A380 1432	Gear - 24Z	1
27	A380 1373	Stud - M4	1
28	AB01 3709	Worm Gear	1
29	A355 5320	Push Switch	1
30	A380 1267	Magnetic Holder	1
31	A380 1263	Door Switch Bracket	1
32	A380 2490	Reverse Roller Pressure Spring	1
33	A380 1262	Door Switch Holder	1
34	A380 1261	Operation Key	1
35	A380 5601	Main Harness	1



Index No.	Part No.	Description	Q'ty Per Assembly
36	A079 2685	Seide Fence Plate	2
37	AA00 2010	Decal - Paper Level	1
38	A380 1381	Front Support Plate	1
39	A380 1297	Pressure Spring	1
40	A380 1393	Actuator	1
41	A380 1292	Actuator Shaft	1
42	A006 2982	Spacer - M6x9	1
43	A380 1132	Decal - Misfeed Removal	1
44	A380 5605	Relay Harness - Paper Tray	1
45	A355 3349	Side Fence Pad	2
46	A380 1935	Rear Guide Sheet	1
101	0434 0080B	Philips Tapping Screw - M4x8	
102	0313 0100B	Philips Pan Head Screw - M3x10	
103	0313 0060B	Philips Pan Head Screw - M3x6	
104	1204 0704	Micro Switch - D2RV-G	
105	1204 2136	Micro Switch	
106	0313 0250B	Philips Pan Head Screw - M3x25	
107	0353 0060B	Philips Pan Head Screw - M3x6	
108	0574 0040E	Hexagon Headless Set Screw - M4x4	
109	0741 3506	Ball Bearing - 6x12x4 mm	
110	0720 0060B	Retaining Ring - M6	
111	0807 5056	Washer - 8.1mm	
112	0720 0040B	Retaining Ring - M4	
113	1204 1148	Microswitch	
114	1204 0192	Microswitch - UL	
115	0313 0350B	Philips Pan Head Screw - M3x35	
116	0807 0030B	Washer - M3	
117	0344 0050F	Philips Trus Screw - M4x5	
118	1105 0200	Clamp	
119	0720 0020E	Retaining Ring - M2	
120	0414 0082B	Binding Self Tapping Screw - M4x8	

4. LCT UNIT 4 (A380)

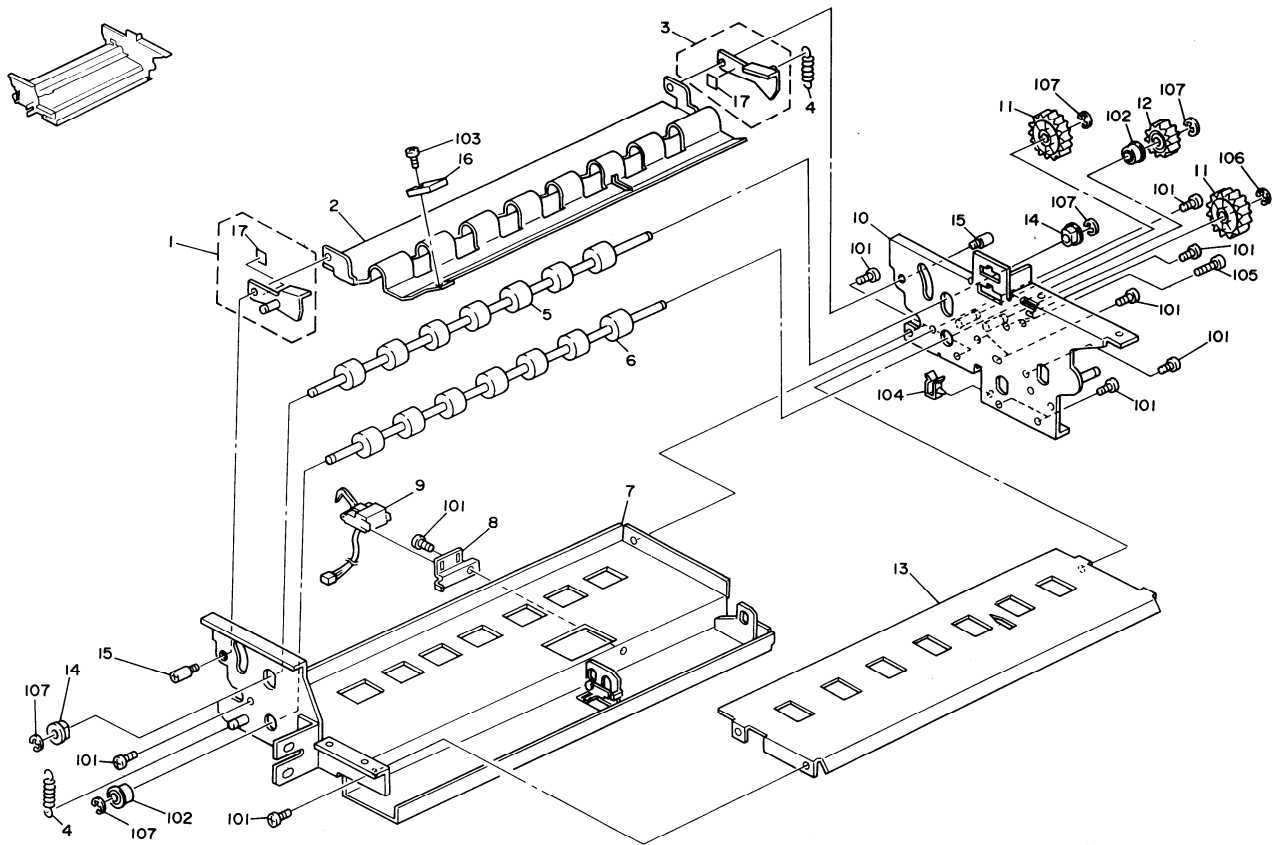


4. LCT UNIT 4 (A380)

Index No.	Part No.	Description	Q'ty Per Assembly
1	A380 1781	LCT Tray	1
2	A380 1356	Right Stay	1
3	AA06 3038	Pressure Spring	2
4	A380 1820	Front Idler Bracket	1
5	A380 1801	Timing Belt - S5M T210	2
6	A380 1803	Timing Pulley - S5M 22Z	2
7	A380 1753	Timing Belt Bracket	2
8	A380 1754	Guide Roller	4
9	A380 1752	Roller Shaft	4
10	A380 1810	Timing Belt Clamp	2
11	A380 1805	Tray Lift Shaft	1
13	A380 1942	Side Fence Adjuster - Lower	1
14	A380 1800	Drive Gear - 42Z	1
15	A380 1825	Rear Idler Bracket	1
16	A421 2543	Friction Pad	1
17	A042 2568	Spacer - 8.1x10X3.7	1
18	A380 1376	Decal - Caution - CAN	1

Index No.	Part No.	Description	Q'ty Per Assembly
101	0314 0200B	Philips Pan Head Screw - M4x20	
102	0434 0080B	Philips Tapping Screw - M4x8	
103	0951 3006B	Philips Screw With Flat Washer-M3x6	
104	0805 3270	Ball Bearing - 8x16x5mm	

5. LCT UNIT 5 (A380)



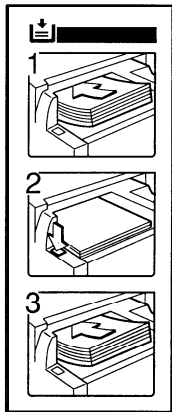
5. LCT UNIT 5 (A380)

Index No.	Part No.	Description	Q'ty Per Assembly
1	A380 2319	Front Paper Holder Arm	1
2	A380 2311	Guide Plate	1
3	A380 2324	Rear Paper Holder Arm	1
4	A380 2491	Pressure Spring	2
5	A380 2382	Driven Roller	1
6	A380 2381	Drive Roller	1
7	A380 2111	Paper Feed Unit Base	1
8	A380 2331	Sensor Bracket	1
9	AW02 0038	Photosensor Ass'y	1
10	A380 2151	Rear Side Plate	1
11	AB01 3167	Gear - 32T	2
12	A380 2458	Drive Gear - 22Z	1
13	A308 2360	Lower Guide Plate	1
14	5053 0223	Bushing - 8mm	2
15	5409 1855	Mounting Pin	2
16	A353 2243	Lever Knob	1
17	A380 2323	Arm Seal - 12x12	2

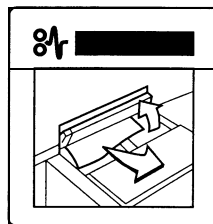
Index No.	Part No.	Description	Q'ty Per Assembly
101	0314 0060B	Philips Pan Head Screw - M4x6	

6. DECAL AND DOCUMENT (A380)

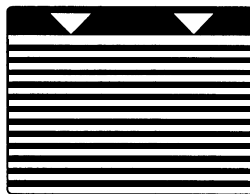
1



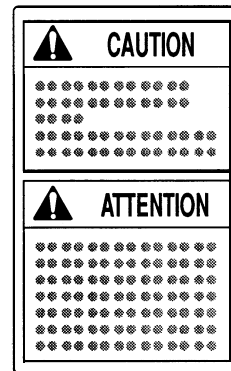
2



3



4



6. DECAL AND DOCUMENT (A380)

Index No.	Part No.	Description	Q'ty Per Assembly
1	A380 1131	Decal - Paper Setting	1
2	A380 1132	Decal - Misfeed Removal	1
3	AA00 2010	Decal - Paper Level	1
4	A380 1376	Decal - Caution - CAN	1

Index No.	Part No.	Description	Q'ty Per Assembly
-----------	----------	-------------	-------------------

PARTS INDEX

Part No.	Description	Page and Index No.
A380 1020	LCT Stay	5- 1
A380 1081	Misfeed Cover	9- 7
A380 1110	Upper Cover - A4	5- 2
A380 1111	Upper Cover - LT	5- 2
A380 1130	Front Cover	5- 15
A380 1131	Decal - Paper Setting	5- 16
A380 1131	Decal - Paper Setting	15- 1
A380 1132	Decal - Misfeed Removal	5- 17
A380 1132	Decal - Misfeed Removal	9-43
A380 1132	Decal - Misfeed Removal	15- 2
A380 1161	Rear Lower Cover	5- 13
A380 1171	Rear Upper Cover	5- 12
A380 1211	Front Hinge	9- 8
A380 1213	Rear Bracket - Misfeed	9-10
A380 1215	Rear Hinge	9- 9
A380 1231	Hinge Stay	5- 6
A380 1232	Door Catch	5- 4
A380 1233	End Fence Shaft	5- 18
A380 1234	End Fence	5- 3
A380 1251	Right Cover	5- 14
A380 1261	Operation Key	9-34
A380 1262	Door Switch Holder	9-33
A380 1263	Door Switch Bracket	9-31
A380 1267	Magnetic Holder	9-30
A380 1271	Large Hinge Bracket	5- 9
A380 1272	Hinge Bracket	5- 8
A380 1281	Hinge Rubber Cover	5- 11
A380 1292	Actuator Shaft	9-41
A380 1297	Pressure Spring	9-39
A380 1298	Paper Sensor Holder	9- 6
A380 1352	Left Bracket	9- 1
A380 1354	Registration Roller Cover	9- 5
A380 1355	Upper Stay	9- 15
A380 1356	Right Stay	11- 2
A380 1357	Safety Switch Cover	9- 14

Part No.	Description	Page and Index No.
A380 1358	Micro Switch Plate	9- 11
A380 1373	Stud - M4	9-27
A380 1376	Decal - Caution - CAN	11- 18
A380 1376	Decal - Caution - CAN	15- 4
A380 1381	Front Support Plate	9-38
A380 1393	Actuator	9-40
A380 1410	Drive Bracket	9-20
A380 1432	Gear - 24Z	9-26
A380 1433	Timing Pulley - S2M T70	9- 19
A380 1434	Timing Pulley - S2M T76	9-21
A380 1436	Pressure Spring	9-24
A380 1752	Roller Shaft	11- 9
A380 1753	Timing Belt Bracket	11- 7
A380 1754	Guide Roller	11- 8
A380 1781	LCT Tray	11- 1
A380 1800	Drive Gear - 42Z	11- 14
A380 1801	Timing Belt - S5M T210	11- 5
A380 1803	Timing Pulley - S5M 22Z	11- 6
A380 1805	Tray Lift Shaft	11- 11
A380 1810	Timing Belt Clamp	11- 10
A380 1820	Front Idler Bracket	11- 4
A380 1825	Rear Idler Bracket	11- 15
A380 1851	Front Side Fence	9- 18
A380 1852	Rear Side Fence	9- 17
A380 1935	Rear Guide Sheet	9-46
A380 1941	Side Fence Adjuster - Upper	9- 16
A380 1942	Side Fence Adjuster - Lower	11- 13
A380 2053	Reverse Gear - 30Z	7- 12
A380 2111	Paper Feed Unit Base	13- 7
A380 2151	Rear Side Plate	13- 10
A380 2211	Pick-up Arm	7-31
A380 2221	Feed Roller Shaft	7- 9
A380 2251	Reverse Roller Shaft	7- 22
A380 2271	Upper Feed Stay	7- 5
A380 2280	Pick-up Solenoid	7- 1

Part No.	Description	Page and Index No.
A380 2281	Solenoid Housing	7- 2
A380 2311	Guide Plate	13- 2
A380 2319	Front Paper Holder Arm	13- 1
A380 2323	Arm Seal - 12x12	13- 17
A380 2324	Rear Paper Holder Arm	13- 3
A380 2331	Sensor Bracket	13- 8
A380 2342	Reverse Roller Driven Shaft	7-26
A380 2351	Entrance Guide Plate	7- 8
A380 2381	Drive Roller	13- 6
A380 2382	Driven Roller	13- 5
A380 2390	Idler Gear -33Z	7- 18
A380 2418	Drive Gear - 22Z	7-21
A380 2421	Harness Clamp Bracket	7- 15
A380 2431	Solenoid Cover	7- 3
A380 2431	Solenoid Cover	7- 17
A380 2441	Harness Bracket Angle	7- 16
A380 2458	Drive Gear - 22Z	13- 12
A380 2460	Pick-up Release Spring	7- 10
A380 2463	Pick-up Pressure Spring	7-25
A380 2463	Pick-up Pressure Spring	7-35
A380 2490	Reverse Roller Pressure Spring	9-32
A380 2491	Pressure Spring	13- 4
A380 2494	Pressure Spring	7- 4
A380 5601	Main Harness	9-35
A380 5602	Sensor Harness	7- 6
A380 5603	Relay Harness - Paper Set	9- 4
A380 5604	Relay Harness - Paper Feed	7-20
A380 5605	Relay Harness - Paper Tray	9-44
A380 5607	Grounding Wire	5- 10

Part No.	Description	Page and Index No.
AA00 2010	Decal - Paper Level	9-37
AA00 2010	Decal - Paper Level	15- 3
AA06 3038	Pressure Spring	11- 3
AB01 3167	Gear - 32T	13- 11
AB01 3709	Worm Gear	9-28
AB01 3729	Gear-18Z	7-23
AB01 3773	Gear-18Z	7-24
AB01 3809	Worm Wheel - 44Z	9-25
AB03 0216	Pulley - 15Z	9-22
AF03 0021	Pick-up Roller	7-32
AF03 1021	Paper Feed Roller	7-30
AF03 2021	Separation Roller	7-27
AG07 0004	Magnetic Catch	5- 5
AG07 0004	Magnetic Catch	9- 13
AW01 0027	Photosensor - ON2530 CT	9- 2
AW01 0064	Optical Sensor Ass'y	9- 12
AW02 0012	Photosensor Ass'y	9- 3
AW02 0021	Photointerruptor - 175487-3	7- 7
AW02 0038	Photosensor Ass'y	13- 9
AX06 0078	Drive Motor - 13W	9-23
AX06 0079	Motor -11.6/8.9W	7- 19
AX21 0038	Magnetic Clutch - 5kgf	7- 14
A006 2982	spacer - M6x9	9-42
A024 1367	Small Cap - Left Cover	5- 19
A042 2568	Spacer - 8.1x10X3.7	11- 17
A079 2685	Seide Fence Plate	9-36
A096 6353	Feed Roller Lever	7- 11
A097 6000	Separation Torque Limiter	7-28
A308 2360	Lower Guide Plate	13- 13
A353 2243	Lever Knob	13- 16
A355 3349	Side Fence Pad	9-45
A355 5320	Push Switch	9-29
A421 2543	Friction Pad	11- 16
5053 0223	Bushing - 8mm	7- 13
5053 0223	Bushing - 8mm	13- 14

Part No.	Description	Page and Index No.
5053 0447	Bushing - 6mm	7-29
5215 2621	Snap Ring - M6	7-36
5409 1855	Mounting Pin	13- 15
5447 2681	Snap Ring	5- 7
5447 2681	Snap Ring	7-33
5447 2706	Gear - 15T	7-34

Part No.	Description	Page and Index No.
0313 0060B	Philips Pan Head Screw - M3x6	9-103
0313 0100B	Philips Pan Head Screw - M3x10	9-102
0313 0250B	Philips Pan Head Screw - M3x25	9-106
0313 0350B	Philips Pan Head Screw - M3x35	9-115
0314 0060B	Philips Pan Head Screw - M4x6	5-101
0314 0060B	Philips Pan Head Screw - M4x6	7-102
0314 0060B	Philips Pan Head Screw - M4x6	13-101
0314 0120B	Philips Pan Head Screw - M4x12	5-102
0314 0200B	Philips Pan Head Screw - M4x20	11-101
0344 0050F	Philips Trus Screw - M4x5	9-117
0353 0060B	Philips Pan Head Screw - M3x6	9-107
0414 0082B	Binding Self Tapping Screw - M4x8	5-104
0414 0082B	Binding Self Tapping Screw - M4x8	9-120
0434 0080B	Philips Tapping Screw - M4x8	9-101
0434 0080B	Philips Tapping Screw - M4x8	11-102
0574 0040E	Hexagon Headless Set Screw - M4x4	7-105
0574 0040E	Hexagon Headless Set Screw - M4x4	9-108
0622 0100E	Spring Pin - 2x10mm	7-101
0720 0020E	Retaining Ring - M2	9-119
0720 0040B	Retaining Ring - M4	7-104
0720 0040B	Retaining Ring - M4	9-112
0720 0060B	Retaining Ring - M6	7-103
0720 0060B	Retaining Ring - M6	9-110
0741 3506	Ball Bearing - 6x12x4 mm	9-109
0802 5094	Tapping Truss Head Screw - M4x8	5-105
0805 3270	Ball Bearing - 8x16x5mm	11-104
0807 0030B	Washer - M3	9-116
0807 5056	Washer - 8.1mm	9-111
0951 3006B	Philips Screw With Flat Washer-M3x6	11-103
0951 4016B	Philips Screw With Flat Washer - M4	5-106
0960 4006B	Philips Flange Screw - M4x6	7-106
0964 4010B	Tapping Screw With Flat Washer-M4	5-103
1105 0200	Clamp	9-118
1204 0192	Microswitch - UL	9-114
1204 0704	Microswitch - D2RV-G	9-104

Part No.	Description	Page and Index No.
1204 1148	Microswitch	9-113
1204 2136	Microswitch	9-105

Part No.	Description	Page and Index No.